

SINGER
993E3,E10

8921

PARTS CHART
FOR
SINGER^{*}
993_{E3} 993_{E10}
MACHINES

From the library of: Diamond Needle Corp

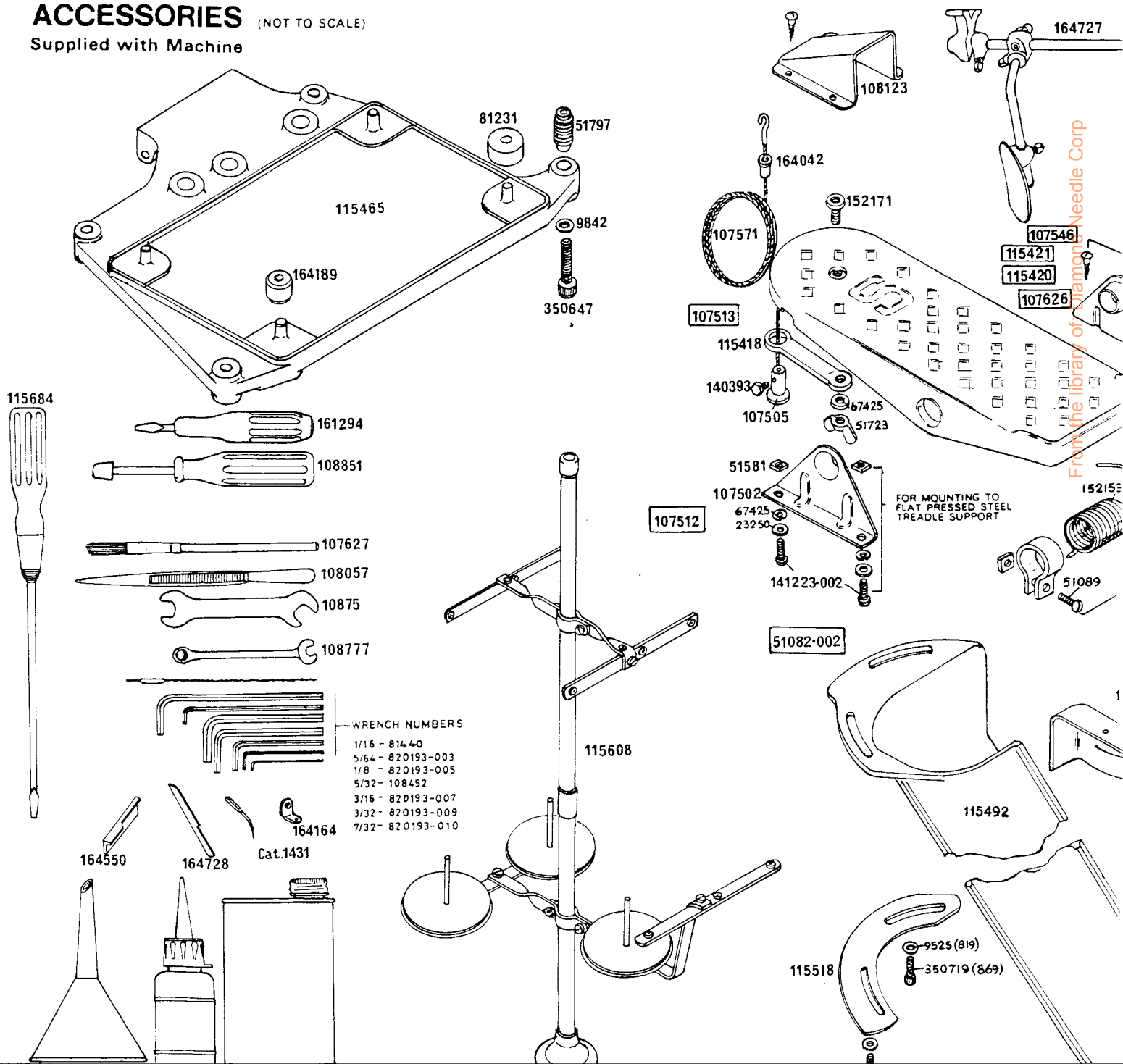
SINGER

993_{E3} 993_{E10}

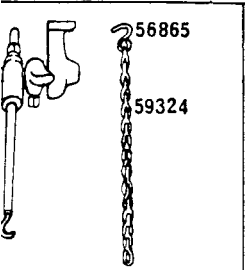
Part numbers shown boxed indicate that they are assemblies, details of which may be found in the descriptions overleaf.

ACCESSORIES (NOT TO SCALE)

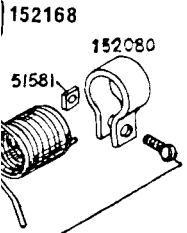
Supplied with Machine



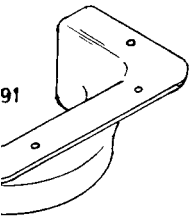
From the library of Viacom Needle Corp



WOOD SCREWS FOR FLOOR MOUNTING



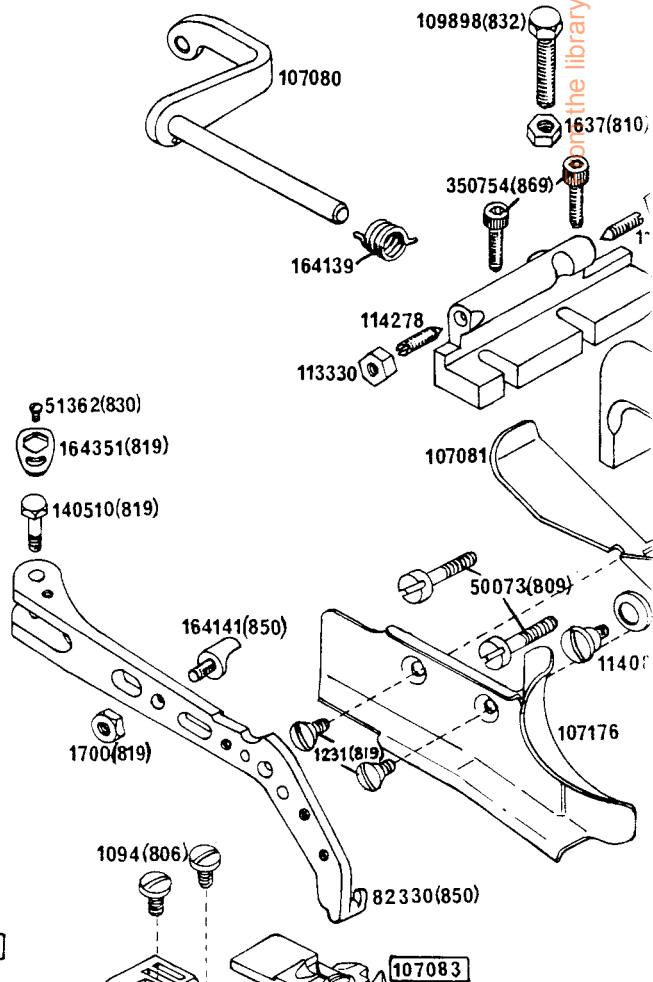
FOR MOUNTING TO ROUND CROSSBRACE



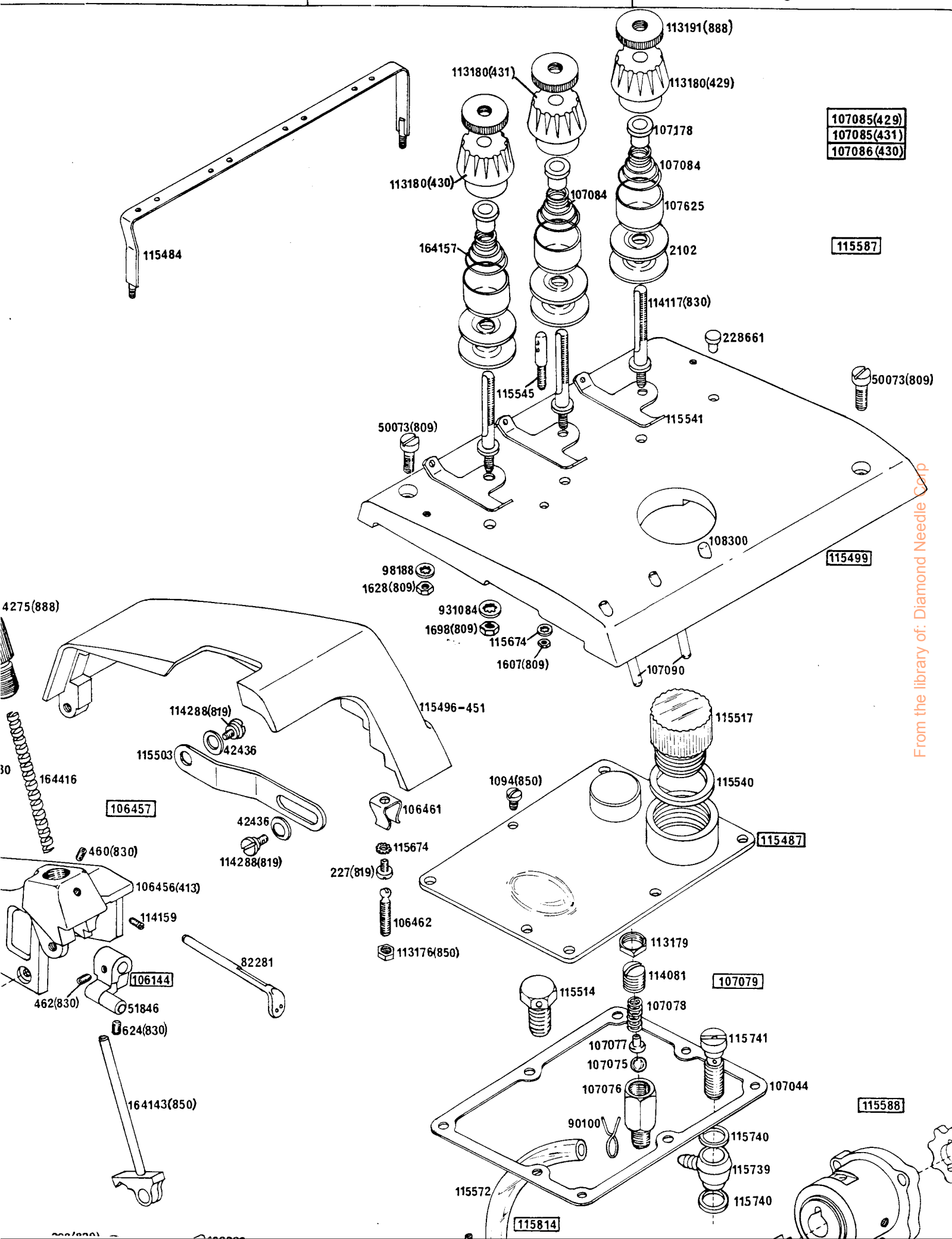
115707



115586



Copyrighted by the library of: Diamond Needle Corp



107085(429)
 107085(431)
 107086(430)

115587

115499

115487

107079

115588

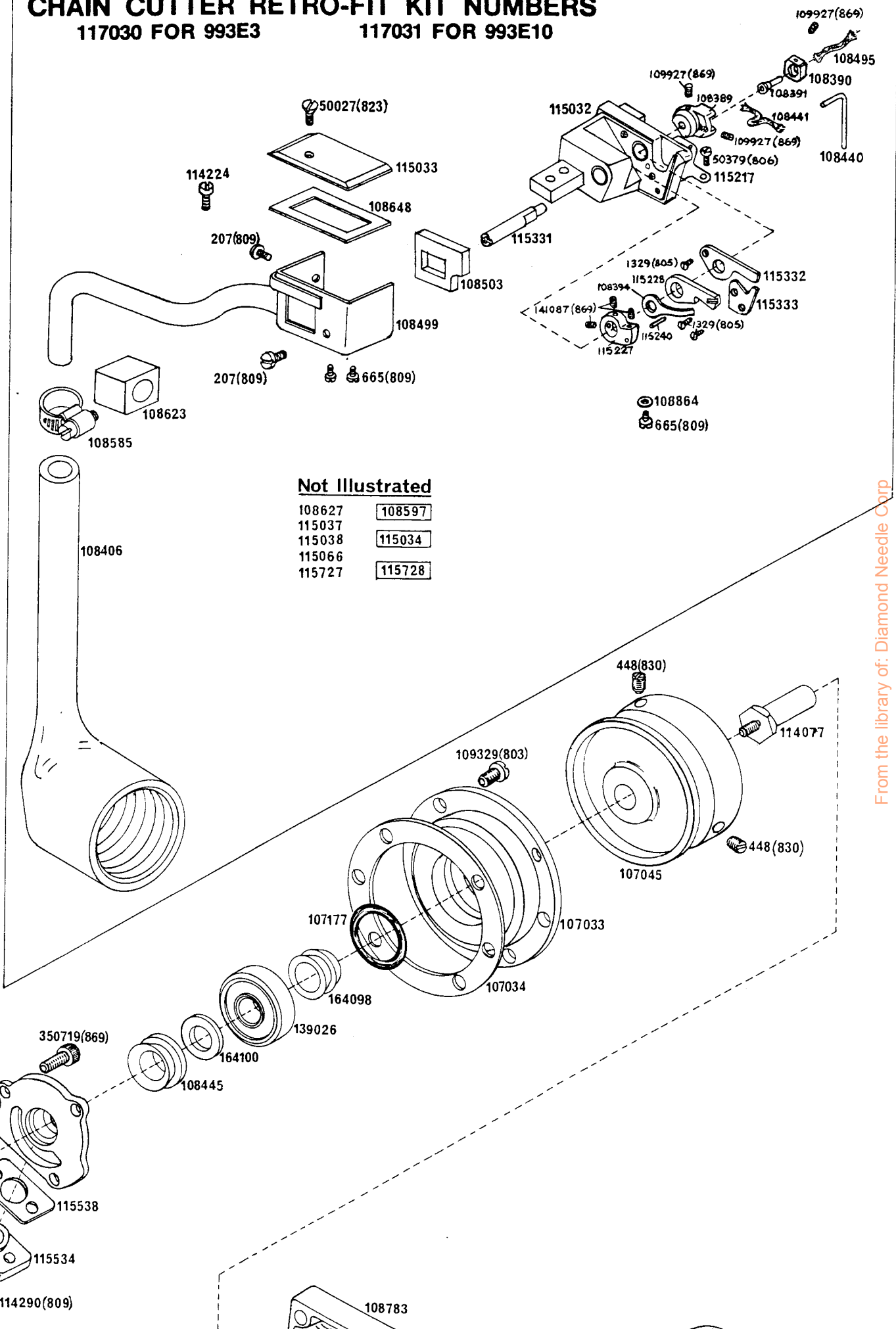
115814

From the library of: Diamond Needle Corp

CHAIN CUTTER RETRO-FIT KIT NUMBERS

117030 FOR 993E3

117031 FOR 993E10



Not Illustrated

108627	108597
115037	
115038	115034
115066	
115727	115728

From the library of: Diamond Needle Corp

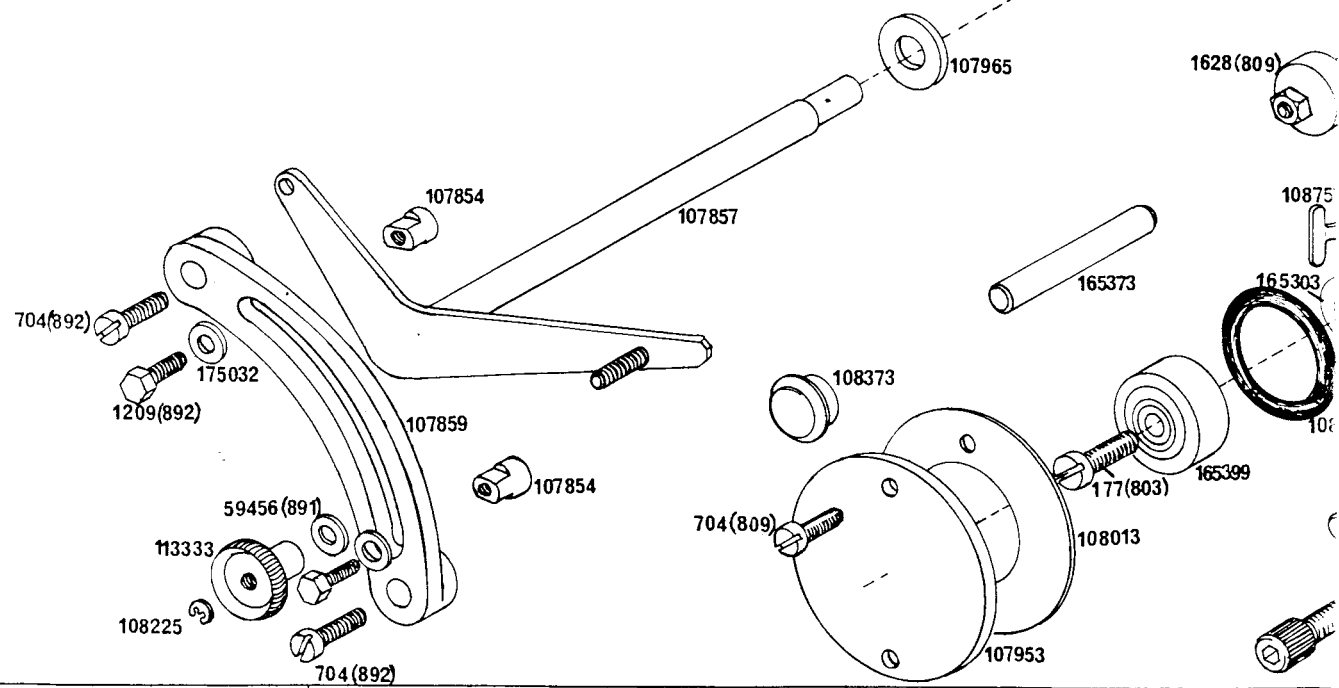
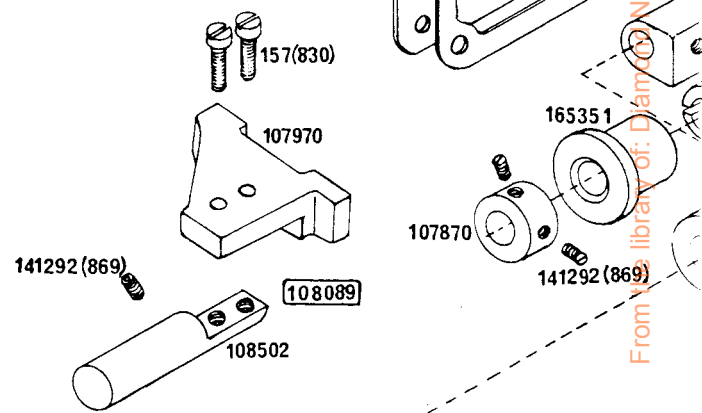
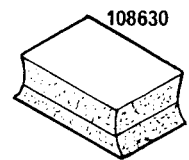
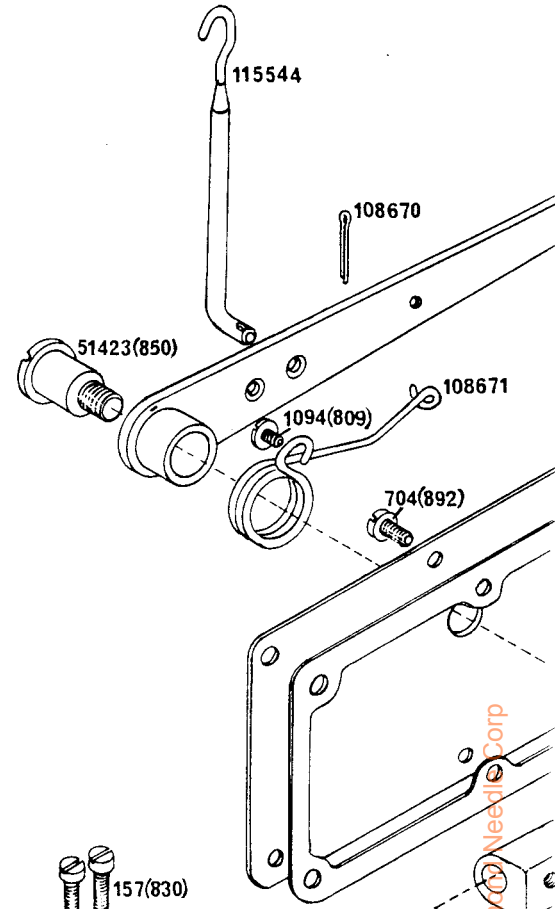
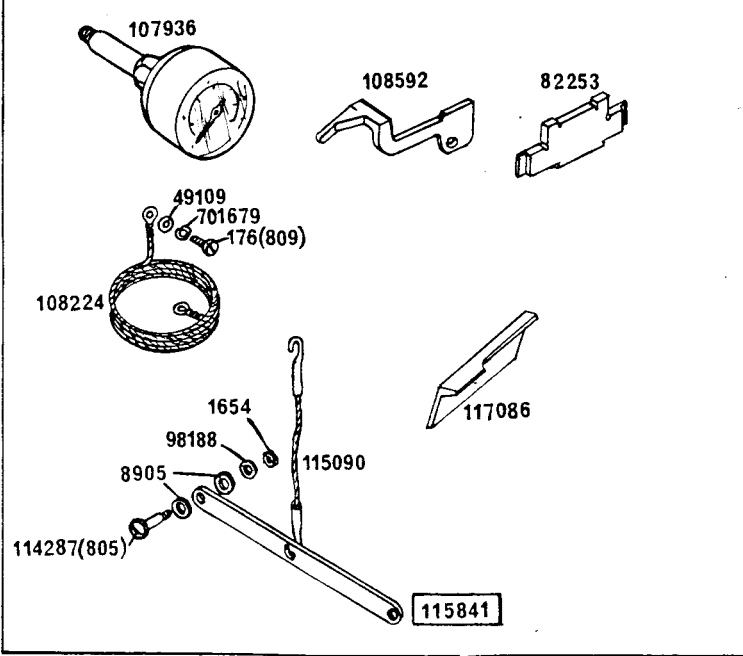
1

2

3

4

Available at an Extra Charge

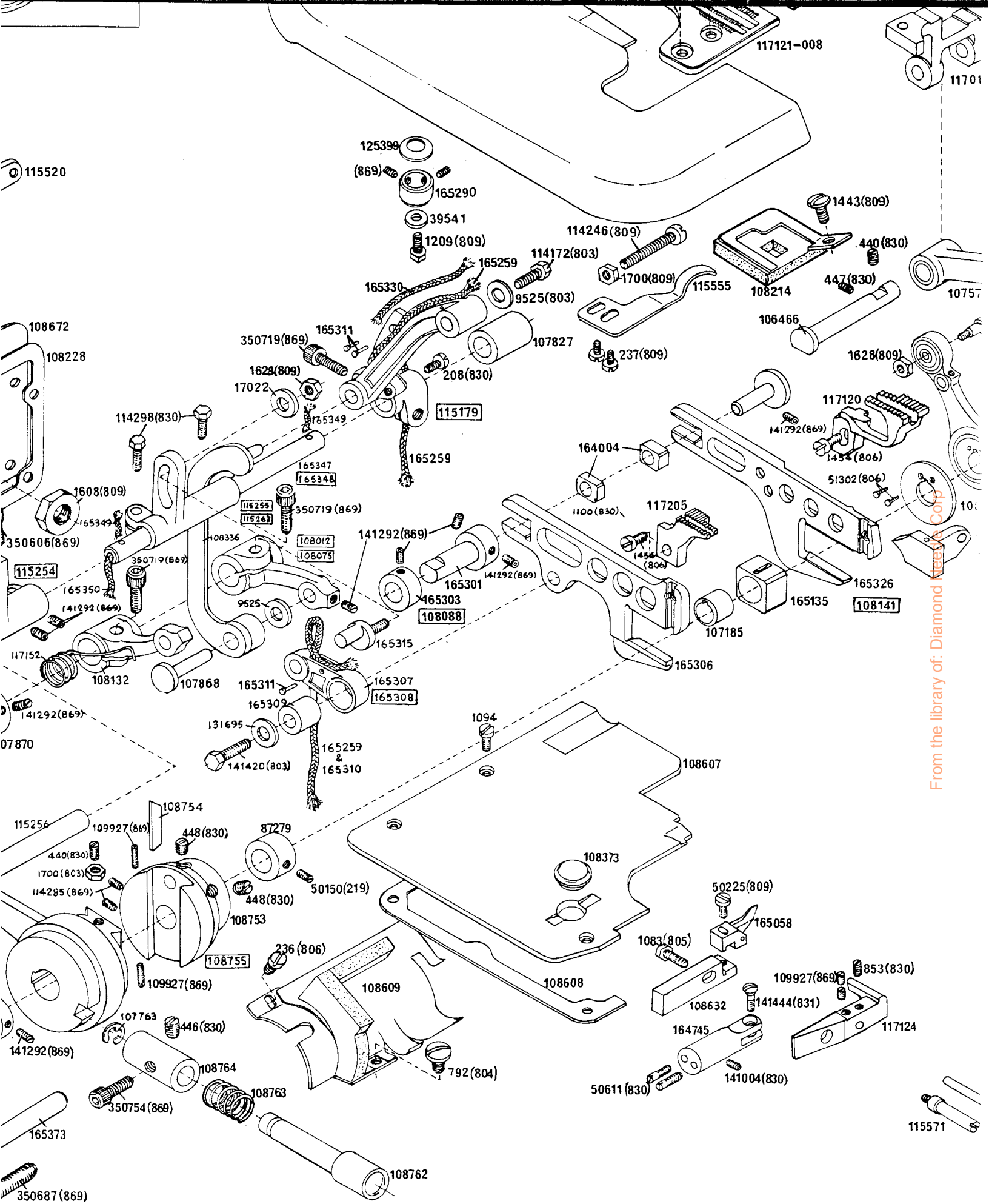


From the library of: Diamond Needle Corp

A

B

C



115520

117121-008

11701

125399
(869)
165290
39541

114246(809)
1700(809)

1443(809)
440(830)

108672

350719(869)
165311

114172(803)
9525(803)

115555
108214

447(830)
10757

108228

1628(809)
17022

107827

106466

1628(809)

114298(830)

165349
165347
165348

115179

164004
1100(830)

117120
141292(869)

1454(806)
51302(806)

1608(809)
165349

115255
115267
350719(869)

141292(869)
165301
141292(869)

117205
1454(806)

165135

165326
108141

350606(869)
115254

108336
108012
108073

165303
108088

107185

165350
141292(869)

9525
165315

165306

117152
108132

165311
165309
165307
165308

07870

131695
141420(803)
165259
165310

1094

108607

115256
440(830)
1700(803)
114285(869)

108754
448(830)
87279

50150(219)
448(830)
108753

108373

50225(809)
165058

109927(869)

236(806)
108755

1083(805)

109927(869)
141444(831)

853(830)
117124

141292(869)

107763
446(830)

108609

108632
164745

141004(830)

350754(869)

108764
108763

792(804)

50611(830)

165373

108762

115571

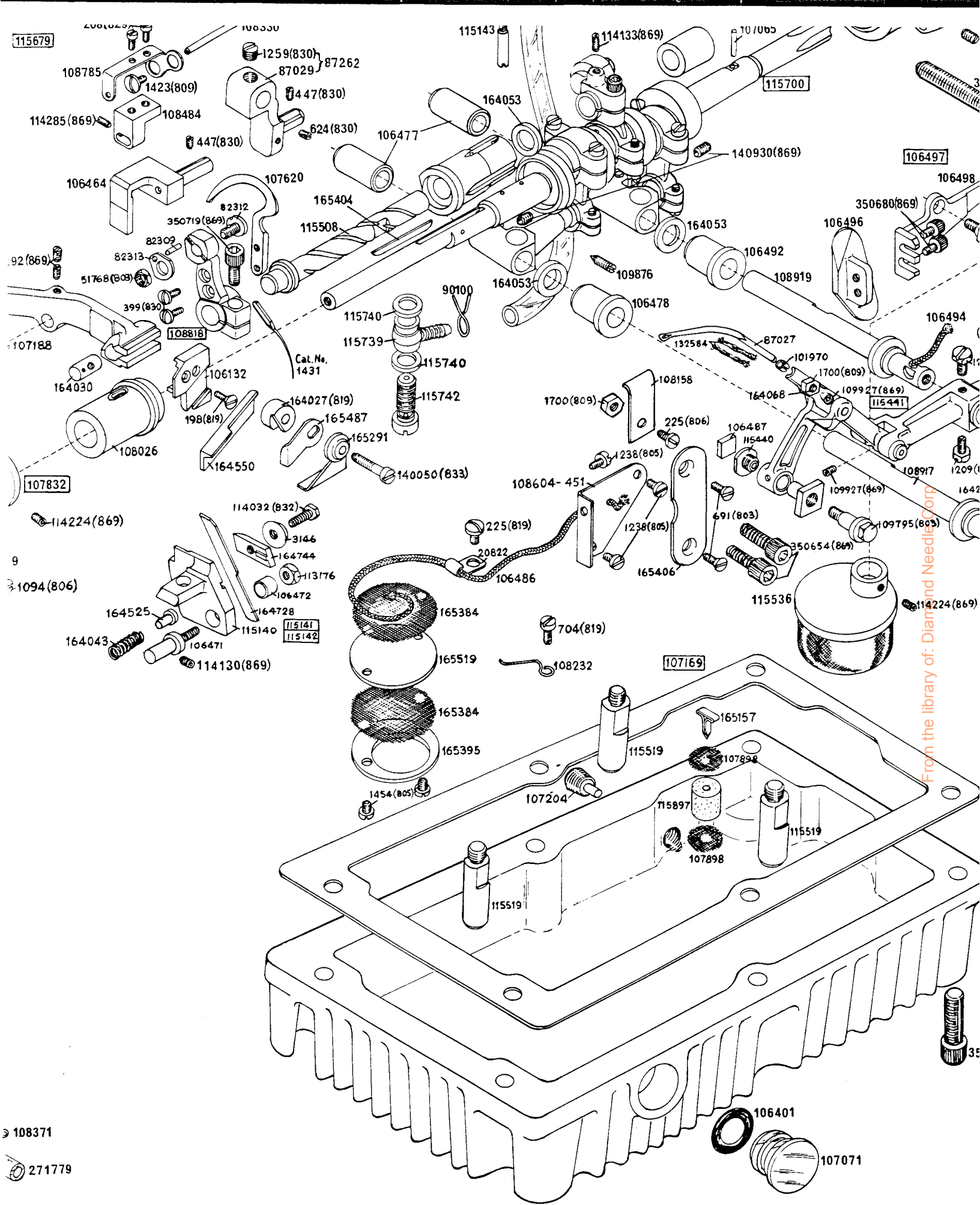
350687(869)

D

E

F

From the library of: Diamond Video Corp



115679

108785
1423(809)
114285(869)
108484
1259(830)
87029
87262
447(830)
624(830)

115143

114133(869)
10/UB5
115700
164053
140930(869)

106497

106464
107620
82312
350719(869)
82309
82313
51768(803)
399(830)
107188
164030
108818
106132
198(819)
164550

165404
115508
90100
115740
115739
115740
115742
164027(819)
165487
165291
140050(833)

Cat. No. 1431

164053
109876
106478
106492
108919
106496
350680(869)
106494
132584
87027
101970
1700(809)
164068
109927(869)
115441
108158
225(806)
106487
115440
1238(805)
108604-451
691(803)
350654(869)
109927(869)
108917
1209(819)
1642

107832

1094(806)

114224(869)
114032(832)
3146
164744
113176
106472
164728
115140
115141
115142
164525
164043
106471
114130(869)

225(819)
20822
106486
165384
165519
704(819)
108232
107169
165157
115519
107898
115897
107898
115519
114224(869)

From the library of: Diamond Needle Corp

108371

271779

106401
107071

Part No.	Description	Grid Ref.
157(830)	Feed (back) Bar Guide Bracket Screw	C6
176(809)	Earthing Wire Screw	Acc.
177(803)	Machine Frame Rotary Shaft Extension Screw	C8
187(805)	Thread (looper, right hand) Take-up Screw	L7
190(805)	Thread (looper) Take-up Screw (lower)	K6
198(819)	Knife (movable) Holder Screw	G6
207(809)	Chain Cutter Knife Holder and Feed Bar Guide Cover Securing Screw	CC
208(829)	Thread Eyelet (needle thread) Bridge Tube Support Securing Screw	G5
208(830)	Feed (front) Bar Driving Arm Slide Block Plate Screw	E6
225(806)	Oil Deflector Screw	H6
225(819)	Looper (right hand) Carrier Connecting Link Adjusting Sleeve Wick Clip Screw	H6
227(819)	Knife (movable) Lever and Presser Bar (upright) Housing Cover Latch Spring Screw	H3
236(806)	Machine Frame Oil Splash Guard Securing Screw (upper)	D8
237(809)	Cloth Plate Lock Spring Screw	E6
356(803)	Knee Lifter Rock Shaft Knee Arm Hub Set Screw	Acc.
356(803)	Knee Lifter Rock Shaft Knee Plate Set Screw	Acc.
356(803)	Knee Lifter Rock Shaft Stop Dog Set Screw	Acc.
399(830)	Thread (needle) Controller Screw (2)	G5
140(830)	Knife (movable) Lever Hinge Stud Set Screw (top)	F5
140(830)	Feed Eccentric (adjustable) Stop Screw	D7
146(830)	Feed Eccentric (adjustable) Push Button Bush Set Screw	D8
147(830)	Knife (movable) Lever Bearing Set Screw (long)	G5
147(830)	Knife (movable) Lever Guide Set Screw	G5
147(830)	Knife (movable) Lever Hinge Stud Set Screw (back)	F5
148(830)	Machine Pulley Set Screw	M3
148(830)	Feed Eccentric (adjustable) Body Set Screw	D7
148(830)	Oil Pump Body Bushing and Machine Frame Rotary Shaft (intermediate) Bushing Set Screw	J5
160(830)	Thread Eyelet (needle thread) Set Screw	G3
162(830)	Presser Bar Lifting Bracket Set Screw (short)	G4
164(830)	Knife (movable) Lever Bearing Set Screw (short)	G5
164(830)	Presser Bar Lifting Bracket Set Screw (long)	G4
165(809)	Chain Cutter Knife Holder and Feed Bar Guide Cover Securing Screw (lower) (2)	CC
165(809)	Chain Cutter Knife Holder and Feed Bar Guide Oil Deflector Securing Screw (rear)	CC
191(803)	Machine Frame Wearing Plate Screw (2)	J6
04(809)	Machine Frame Rotary Shaft Bearing (left) Cover Screw (2)	B8
04(819)	Feed Driving Shaft Oil Wick Clip Securing Screw	H6
04(892)	Differential Feed Regulating Plate Securing Screw (2)	A8
04(892)	Machine Frame Closing Plate (rear) Screw (6)	C6
92(804)	Machine Frame Oil Splash Guard Securing Screw (lower)	E8
53(830)	Looper (left hand) Thread Tube (lower) Set Screw	F8
083(805)	Needle Guard Holder Screw	F8
094(806)	Feed (front) Bar Wearing Plate Screw	F6
094(806)	Throat Plate Screw (2)	F4
094(819)	Thread (looper) Plate Cover Latch Spring Screw	M7
094	Machine Frame Oil Splash Cover (top) Securing Screw (3)	E7
094(850)	Machine Frame Top Cover Closing Plate Screw	H3
094(809)	Presser Bar Lifting Lever (long) Tension Spring Securing Screw	C6
100(830)	Feed (back) Dog Section (right) Screw	E6
209(819)	Thread (looper) Plate Cover Hinge Bracket Screw (2)	M8
209(809)	Chip Guard Screw (lower)	K7
209(809)	Cloth Plate Hinge Stud Washer Retaining Screw	E5
209(892)	Differential Feed Regulating Lever Stop Screw (2)	A8
209(830)	Looper (right hand) Driving Lever Clamping Screw	J6
231(818)	Machine Frame Oil Splash Guard (top) Screw (2)	F4
238(806)	Machine Frame Closing Plate (front) Screw (3)	H6
238(892)	Machine Frame Front Cover Screw (2)	K8
239(819)	Thread (looper) Plate Screw (2)	L6
259(830)	Knife (movable) Lever Bearing and Attachment Bracket Screw	G5

Part No.	Description	Grid Ref.
1324(803)	Looper (left hand) Carrier Screw	K6
1329(805)	Chain Cutter Knife (stationary) Extension Screw	CC
1329(805)	Chain Cutter Knife (stationary) Screw	CC
1423(809)	Thread (looper, right hand) Thread Eyelet (movable) Screw	M7
1443(809)	Machine Frame Oil Splash Seal Support Securing Screw	F5
1443(809)	Thread (looper, right hand) Take-up Eyelet (adjustable) Screw	L7
1443(809)	Thread (looper) Take-up Screw (right)	K6
1454(806)	Feed (back) Dog Screw	E6
1454(806)	Feed (front) Dog Screw	F6
1454(805)	Machine Frame Oil Drain Plate Screw (2)	H7
1520(809)	Thread Unwinder Mounting Tube Bracket Clamping Screw Nut (4)	Acc.
1520(809)	Thread Unwinder Spool Pin Nut (8)	Acc.
1520(809)	Thread Unwinder Spool Rest Support Securing Screw Nut	Acc.
1520(809)	Thread Unwinder Thread Eyelet Support (lower) Screw Nut	Acc.
1520(809)	Thread Unwinder Thread Eyelet Support (upper) (front) Securing Screw Nut	Acc.
1520(809)	Thread Unwinder Thread Eyelet Support (upper) (rear) Securing Screw Nut	Acc.
1607(809)	Thread (looper, right hand) Thread Eyelet (stationary) Nut	L6
1607(809)	Thread (needle) Guide Post Securing Nut	H3
1608(809)	Presser Bar Lifting Lever (long) Hinge Stud Lock Nut	D6
1628(809)	Feed (back) Bar Driving Arm Eccentric Stud Nut	D6
1628(809)	Feed Driving Arm Pin Nut	C7
1628(809)	Knife (movable) Lever Hinge Pin Bearing Lock Nut	F6
1628(809)	Tension Thread Guide Securing Nut	H2
1637(810)	Presser Bar Lifting Lever Stop Screw Nut	F3
1698(809)	Tension (heavy) Screw Stud Lock Nut (2)	H3
1698(809)	Tension (light) Screw Stud Lock Nut	H3
1700(809)	Cloth Plate Position Bracket Screw Nut	E5
1700(809)	Looper (right hand) Locking Screw Stud Nut	J6
1700(809)	Oil Deflector Screw Nut	H6
1700(809)	Thread (looper) Plate Cover Latch Spring Pin Locking Nut	L6
1700(803)	Feed Eccentric (adjustable) Stop Screw Nut	D7
1700(819)	Presser Bar (swing-out) Lifting Screw Stud Nut	E4
2022	Machine Frame Anchor Lug Taper Pin	
2102	Tension (heavy) Disc	H1
2102	Tension (light) Disc	H2
2763	Knee Lifter Rock Shaft	Acc.
2767	Knee Lifter Rock Shaft Knee Plate with 356(803)	Acc.
2770	Knee Lifter Rock Shaft Stop Dog with 356(803)	Acc.
3146	Knife (stationary) Clamping Gib Screw Washer	G6
6337	Knee Lifter Rock Shaft Lifting Bracket with two 140219(830)	Acc.
9525	Differential Feed Driving Arm Stud Washer	D6
9525	Feed (front) Bar Connection Screw Washer	E6
9525(819)	Chip Chute Support Plate Screw Washer (2)	Acc.
9842	Machine Base Mounting Screw Washer (4)	Acc.
10875	Wrench (flat)	Acc.
12242	Knee Lifter Rock Shaft Hanger with two wood screws 1 inch No. 10	Acc.
17022	Feed (back) Bar Driving Arm Eccentric Stud Nut Washer	D6
17022	Thread (looper, right hand) Take-up Screw Washer	L7
20822	Looper (right hand) Carrier Connecting Link Adjusting Sleeve Wick Clip	H6
23250	Treadle Hinge Bracket Bolt Washer	Acc.
39541	Cloth Plate Hinge Stud Washer	E5
42436	Knife (movable) Lever and Presser Bar (upright) Housing Cover Stop Plate Screw Washer	G3
42436	Presser Bar (swing-out) Opening Lever Hinge Screw Washer	F4
49109	Earthing Wire Washer	Acc.
50027(823)	Chain Cutter Knife Holder and Feed Bar Guide Cover (top) Securing Screw	CC
50073(809)	Knife (movable) Lever and Presser Bar (upright) Housing Screw (2)	F4
50073(809)	Machine Frame Top Cover Screw (2)	H2

Part No.	Description	Grid Ref.
150(819)	Feed Lifting Eccentric Position Collar Screw	D7
169(809)	Presser Foot Guide Screw	—
225(809)	Needle Guard Set Screw	F7
225(809)	Presser Foot Clamping Plate Screw	—
379(808)	Chain Cutter Knife Holder and Feed Bar Guide Oil Deflector Securing Screw (front)	CC
611(803)	Knife (stationary) Holder Position Screw	E8
082-002	Treadle Hinge Bracket Bolt 141223-002 with 51581	Acc
089	Treadle Position Collar Bolt with 51581	Acc
302(806)	Knife (movable) Eccentric End Washer Securing Screw (2)	F6
362(830)	Presser Bar (swing-out) Pivot Screw Locking Plate Screw	E3
423(850)	Presser Bar Lifting Lever (long) Hinge Stud	C5
581	Treadle Position Collar Bolt Nut	Acc
581	Treadle Hinge Bracket Bolt Nut	Acc
723	Treadle Extension Wing Nut	Acc
768(803)	Needle Clamping Nut	G5
797	Machine Base Mounting Screw Insert (4)	Acc
846	Presser Bar Lifting Bracket Roller and Stud	G4
865	Chain Hook (small)	Acc
324	Chain (8 inches long) with 56865	Acc
456(891)	Differential Feed Regulating Lever Thumb Nut Washer	B8
456	Looper (left hand) Carrier Washer	K6
425	Treadle Extension Wing Nut Lock Washer	Acc
425	Treadle Hinge Bracket Bolt Nut Lock Washer	Acc
231	Machine Cushion (large) (2)	Acc
350-011	Tin of Oil (one pint, type H)	Acc
440	Wrench (short) for 1/16 inch Socket Head Screw	Acc
253	Gauge	Acc
281	Thread Eyelet (needle thread)	G4
2309	Needle Stop Pin	G5
2312	Needle Holder	G5
2313	Needle Holder Washer	G5
2330(850)	Presser Bar (swing-out)	F4
027	Looper (right hand)	J6
029	Knife (movable) Lever Bearing and Attachment Bracket	G5
262	Knife (movable) Lever Bearing and Attachment Bracket 87029 with 1259(830)	G5
279	Feed Lifting Eccentric Position Collar with 50150(819)	D7
3100	Oil Pipe Retaining Clip	H4 H5
3188	Tension Thread Guide Securing Nut Washer	H2
3930	Machine Frame Rotary Shaft Ball Sleeve Guide	—
31970	Looper (right hand) Position Collar	J6
38132	Knife (movable) Holder	G6
36144	Presser Bar Lifting Bracket with 462(830), 624(830) and 51846	G4
36401	Oil Reservoir Oil Sight Gauge Seal (O-Ring)	J8
36456(413)	Knife (movable) Lever and Presser Bar (upright) Housing with 460(830)	G3
36457	Knife (movable) Lever and Presser Bar (upright) Housing complete, Nos. 42436, 82281, 106144, 106456(413), 107080, 107081, 114159, 114275, 114288(819), 164139, 164143 and 164416	G3
36461	Knife (movable) Lever and Presser Bar (upright) Housing Cover Latch Spring	H3
36462	Knife (movable) Lever and Presser Bar (upright) Housing Cover Latch Spring Pin	H3
36464	Knife (movable) Lever Guide	G5
36466	Knife (movable) Lever Hinge Stud	F6
36471	Knife (stationary) Holder Sleeve Stud	G6
36472	Knife (stationary) Holder Sleeve	G6
36473	Looper (left hand)	K6
36476	Looper (right hand) Driving Shaft Access Hole Plug	—
36477	Looper (left hand) Driving Shaft Bushing (back)	H5
36477	Looper (right hand) Driving Shaft Bushing (back)	H5
36478	Looper (left hand) Driving Shaft Bushing (front)	H5

Part No.	Description	Grid Ref.
106486	Looper (right hand) Carrier Connecting Link Adjusting Sleeve Wick	H6
106492	Looper (right hand) Driving Shaft Bushing (front)	J5
106494	Looper (right hand) Driving Shaft Oil Wick	J6
106496	Looper (right hand) Four Bar Linkage Mechanism Stabiliser	J5
106497	Looper (right hand) Four Bar Linkage Mechanism Stabiliser 106496 with 106498 and two 350680(869)	J5
106498	Looper (right hand) Four Bar Linkage Mechanism Stabiliser Support Bracket	J5
107029	Machine Frame Oil Pressure Gauge Connection Plug	L6
107033	Machine Frame Rotary Shaft Ball Bearing Housing	L3
107034	Machine Frame Rotary Shaft Ball Bearing Housing Gasket	L3
107037	Machine Frame Rotary Shaft Oil Metering Pin	—
107044	Machine Frame Top Cover Closing Plate Gasket	J4
107045	Machine Pulley with two 448(830)	M3
107055	Needle Driving Shaft Crank Connection Roller (27)	—
107065	Oil Pump Drive Pin	J5
107066	Oil Pump Rotor (inner)	K4
107067	Oil Pump Rotor (outer)	K4
107071	Oil Reservoir Oil Sight Gauge	J8
107075	Oil Pump Relief Valve	J4
107076	Oil Pump Relief Valve Body	J4
107077	Oil Pump Relief Valve Plunger	J4
107078	Oil Pump Relief Valve Spring	J4
107079	Oil Pump Relief Valve complete Nos. 107075, 107076, 107077, 107078, 114081 and 113179	J4
107080	Presser Bar Lifting Lever	F3
107081	Presser Bar (swing out) Opening Lever	F4
107082	Presser Foot Body	—
107083	Presser Foot complete Nos. 50169(809), 50225(809), 107082, 164146, 164147 and 164149	F3
107084	Tension (heavy) Spring	H1 J1
107085(431)	Tension (heavy) complete (red) Nos. 107084, 107178, 107625, 113180(431), 114117(803), 113191(888) and two 2102	H1
107085(429)	Tension (heavy) complete (green) Nos. 107084, 107178, 107625, 113180(429), 114117(803), 113191(888) and two 2102	J1
107086(430)	Tension (light) complete (yellow) Nos. 107178, 107625, 113180(430), 114117(803), 164157, 113191(888) and two 2102	H1
107090	Looper (left hand) Thread Tube (upper)	J3
107090	Thread (looper, right hand) Tube	J3
107095	Thread (looper) Plate Cover Hinge Bracket	M7
107096	Thread (looper) Plate Cover Hinge Pin	L8
107097	Thread (looper) Plate Cover Latch Spring	M7
107158	Machine Frame Oil Pressure Gauge Connection Plug Gasket	L6
107169	Oil Return Filter (front) complete with 107898	J7
107176	Machine Frame Oil Splash Guard (top)	F4
107177	Machine Frame Rotary Shaft Ball Bearing Retaining Ring	L3
107178	Tension (heavy) Spring Bushing	H1 J1
107178	Tension (light) Spring Bushing	H1
107185	Feed Lifting Eccentric	F6
107188	Knife (movable) Lever Hinge Pin	F6
107204	Oil Reservoir Drain Plug	H7
107501	Operating Cable	Acc
107502	Treadle Hinge Bracket	Acc
107505	Operating Cable Retaining Collar with 140393	Acc
107512	Treadle Hinge Bracket 107502 with two each 23250, 51082-002 and 67425	Acc
107513	Operating Cable complete, Nos. 107501 and 107505	Acc
107546	Treadle 115420 with two 107502, four each 23250, 51082-002 and 67425	Acc
107575	Knife (movable) Lever with two 141292(869)	F5
107620	Thread (needle) Controller	G5
107625	Tension (heavy) Spring Cover	H1 J1
107625	Tension (light) Spring Cover	H1

Part No.	Description	Grid Ref.
09795(803)	Looper (right hand) Carrier Connecting Link Adjusting Screw (front)	J6
09876	Needle Driving Shaft Bushing Locating Screw	H5
09898(832)	Presser Bar Lifting Lever Stop Screw	F3
09927(869)	Looper (right hand) Carrier Connecting Link Hinge Pin Set Screw	J6
09927(869)	Thread (looper) Plate Cover Hinge Pin Locking Screw	M8
09927(869)	Throat Plate Guide and Support Bracket Locating Screw (2)	F8
09927(869)	Chain Cutter Knife (movable) Driving Fork Set Screw	CC
09927(869)	Chain Cutter Knife (movable) Driving Slide Block Stud Set Screw	CC
09927(869)	Feed Eccentric (adjustable) Slide Gib Locking Screw	D7
13176(850)	Knife (movable) Lever and Presser Bar (upright) Housing Cover Latch Spring Pin Lock Nut	H4
13176(850)	Knife (stationary) Holder Sleeve Stud Lock Nut	G6
13179	Oil Pump Relief Valve Spring Screw Stud Locking Nut	J4
13180(429)	Tension (heavy) Regulating Thumb Nut (green)	H1
13180(430)	Tension (light) Regulating Thumb Nut (yellow)	H1
13180(431)	Tension (heavy) Regulating Thumb Nut (red)	H1
13191(888)	Tension (heavy) Lock Nut	H1
13191(888)	Tension (light) Lock Nut	H1
13330	Knife (movable) Lever and Presser Bar (upright) Housing Cover Hinge Bracket Centre Screw Lock Nut	F3
13333	Differential Feed Regulating Lever Thumb Nut	A8
14032	Knife (stationary) Clamping Gib Screw	G6
14038(809)	Oil Pump Body Clamping Screw Hole Plug Screw	L6
14077	Machine Frame Rotary Shaft Screw Stud	M3
14081	Oil Pump Relief Valve Spring Screw Stud	J4
14082	Presser Bar (swing-out) Opening Lever Hinge Screw	F4
14091(869)	Needle Driving Shaft Crank Screw	—
14092(803)	Looper (left hand) Driving Shaft Crank Clamping Screw	—
14092(803)	Looper (right hand) Driving Shaft Crank Clamping Screw	—
14097(809)	Thread Unwinder Mounting Tube Bracket Clamping Screw (4)	Acc
14097(809)	Thread Unwinder Spool Rest Support Securing Screw	Acc
14097(809)	Thread Unwinder Thread Eyelet Support (lower) Screw	Acc
14097(809)	Thread Unwinder Thread Eyelet Support (upper) (front) Securing Screw	Acc
14097(809)	Thread Unwinder Thread Eyelet Support (upper) (rear) Securing Screw	Acc
14117(803)	Tension (heavy) Screw Stud	H2 J2
14117(803)	Tension (light) Screw Stud	H2
14130	Knife (stationary) Holder Sleeve Stud Set Screw	G7
14133(869)	Needle Driving Shaft Crank Position Screw	H5
14136	Looper (right hand) Four Bar Linkage Mechanism Stabiliser Securing Screw (2)	K5
14142(809)	Belt Cover Screw (2)	M5
14159	Pressure Regulating Thumb Screw Lock Screw	G3
14172(803)	Feed (front) Bar Connection Screw	E5
14224(869)	Looper (left hand) Set Screw (2)	K6
14224(869)	Cloth Plate Position Collar Set Screw (2)	E5
14224(869)	Knife (movable) Eccentric Set Screw	G6
14224(869)	Oil Pump Suction Filter Collar Securing Screw	J6
14224(869)	Chain Cutter Knife Holder and Feed Bar Guide Pin Securing Screw	CC
14246(809)	Cloth Plate Position Bracket Screw	E5
14256-451	Looper (left hand) Carrier Holder Clamping Screw	K6
14256-451	Looper (right hand) Driving Lever Clamping Screw	K6
14258-451	Looper (left hand) Driving Shaft Crank Connection Cap (upper) Screw	—
14258-451	Looper (right-hand) Driving Shaft Crank Connection Cap (upper) Screw	—
14263-451	Looper (left hand) Driving Shaft Crank Connection Cap (lower) Screw	—
14263-451	Looper (right-hand) Driving Shaft Crank Connection Cap (lower) Screw	—

Part No.	Description	Grid Ref.
114264(451)	Needle Driving Shaft Crank Connection Cap (lower) Screw (2)	—
114275	Pressure Regulating Thumb Screw	G3
114278(803)	Knife (movable) Lever and Presser Bar (upright) Housing Cover Hinge Bracket Centre Screw	F3
114285(869)	Thread Eyelet (needle thread) Bridge Tube Securing Screw	G5
114285(869)	Feed Eccentric (adjustable) Slide Gib Adjusting Screw	D7
114288(819)	Knife (movable) Lever and Presser Bar (upright) Housing Cover Stop Plate Screw	G3
114290(809)	Oil Pump Suction Pipe Securing Screw	K4
114292(869)	Machine Frame Hole Plug Screw	—
114298(830)	Feed (back) Bar Driving Arm Clamping Screw	D6
115032	Chain Cutter Knife Holder and Feed Bar Guide	CC
115033	Chain Cutter Knife Holder and Feed Bar Guide Cover (top)	CC
115034	Chain Cutter Assembly, Nos. 50027(823), 108394, 108441, 108499, 108503, 108597, 108623, 115032, 115227, 115240, 115331, 115332, 115333, two each 207(809), 665(809) and three 1329(805)	CC
115037	Machine Frame Oil Splash Cover with 108608	CC
115038	Machine Frame Oil Splash Guard	CC
115066	Machine Frame Oil Splash Guard (top)	CC
115140	Knife (stationary) Holder	G6
115141	Knife (stationary) Holder (adjustable) complete, Nos. 115140, 141444(831) and 164745	G6
115142	Knife (stationary) Holder (adjustable) with Gib complete, Nos. 3146, 114032(832), 164744 and 115141	G6
115143	Oil Pipe Guide Pin	H5
115179	Feed (front) Bar Connection with 165259, 165330 and two 165311	E6
115227	Chain Cutter Knife (movable) Shaft Drive Collar with three 141087(869)	CC
115228	Chain Cutter Knife (movable) with 115240	CC
115240	Chain Cutter Knife (movable) Drive Pin	CC
115254	Feed Driving Arm with 350606 and two 141292(869)	C6
115255	Feed (back) Bar Driving Arm with two 114298(830)	CC
115256	Feed Driving Arm Pin	D7
115263	Feed (back) Bar Driving Arm 115255 with 1628(809), 17022 and 165315	D6
115331	Chain Cutter Knife (movable) Shaft	CC
115332	Chain Cutter Knife (stationary)	CC
115333	Chain Cutter Knife (stationary) Extension	CC
115418	Treadle Extension	Acc
115420	Treadle 152168 with 51723, 67425, 115418, and 152171	Acc
115421	Treadle 115420 with 152153 and two 152080	Acc
115423	Chip Guard complete	K7
115440	Looper (right hand) Carrier Connecting Link Eccentric adjusting Sleeve Cap Plug	J6
115441	Looper (right hand) Four Bar Linkage Mechanism complete, Nos. 1700(809), 109795(803), 115440, 164068, two each 1209(830) and 132584.	J6
115465	Machine Base	Acc
115466	Oil Reservoir	J7
115484	Tension Thread Guide	G1
115487	Machine Frame Top Cover Closing Plate with 107044	J3
115491	Chip Chute Sleeve	Acc
115492	Chip Chute	Acc
115496-451	Knife (movable) Lever and Presser Bar (upright) Housing Cover (hinged)	H3
115499	Machine Frame Top Cover with 108300, 228661 and two 107090	J2
115503	Knife (movable) Lever and Presser Bar (upright) Housing Cover Stop Plate	G3
115508	Needle Driving Shaft assembly	H5
115510	Oil Reservoir Gasket	J7
115514	Oil Breather Plug Screw	H4
115515	Cloth Plate	E5
115517	Oil Filler Cap and Flow Indicator	J3

From the library of Blair and Neill's Corp.

Part No.	Description	Grid Ref.	Part No.	Description	Grid Ref.
		Acc	117205	Feed (back) Dog complete, Nos. 1100(830), 108227 and 117119	F6
115518	Chip Chute Support Plate	H7 J7	125399	Cloth Plate Hinge Stud Friction Washer	E5
115519	Machine Frame Support Pin (3)	C5	131695	Feed (back) Bar Connection Screw Washer	D7
115520	Presser Bar Lifting Lever (long)		132584	Looper (right hand) Carrier Connecting Link Hinge Pin Oil Wick	J6
115523(451)	Knife (movable) Lever and Presser Bar (upright) Housing Cover Hinge Bracket	F3 K4	139026	Machine Frame Rotary Shaft Ball Bearing	L4
115534	Oil Pump Suction Pipe	J6	140050(833)	Knife (movable) Clamp Screw	H6
115536	Oil Pump Suction Filter with 114224(869)	K4	140219(803)	Knee Lifter Rock Shaft Lifting Bracket Hook Set Screw	Acc
115538	Oil Pump Suction Pipe Gasket	J3	140219(803)	Knee Lifter Rock Shaft Lifting Bracket Set Screw	Acc
115540	Oil Filler Cap Oil Seal	H2	140351(803)	Knee Lifter Rock Shaft Knee Arm Hub Clamping Screw	Acc
115541	Tension Regulator Thread Guide	C5	140393	Operating Cable Retaining Collar Screw	K6
115544	Presser Bar Lifting Lever (long) Connection Rod	H2	140393(830)	Looper (left hand) Carrier Holder Set Screw (right)	M5
115545	Thread (needle) Guide Post	E6	140416(853)	Machine Pulley Cap Screw	K7
115555	Cloth Plate Lock Spring	F8	140509(832)	Chip Guard Screw (upper)	E4
115571	Cloth Plate Lock Spring Returning Screw Stud	H4	140510(819)	Presser Bar (swing-out) Pivot Screw	K6
115572	Oil Pipe		140596(830)	Looper (left hand) Carrier Holder Set Screw (left)	H5
115586	Cloth Plate complete, Nos. 1700(809), 114246(809), 115515, 115555 and two 237(809)	E5	140930(869)	Looper (left hand) Driving Shaft Crank Position Screw	J5
115587	Machine Frame Top Cover assembly, Nos. 1607(809), 107085(429), 107085(431), 107086(430), 108300, 108864, 115484, 115545, 228661, two each 1628(809), 98188, 107090 and three each 1698(809), 115541 and 931084	J1	140930(869)	Looper (right hand) Driving Shaft Crank Position Screw	F8
115588	Oil Pump complete, Nos. 107065, 107066, 107067 and three 350719(869)	J4 J7	141004(830)	Knife (stationary) Holder Locking Screw	CC
115589	Oil Reservoir 115466 with 106401, 107071 and 107204	J7	141087(869)	Chain Cutter Knife (movable) Drive Pin Securing Screw	CC
115608	Thread Unwinder (three spools) complete, Nos. 108314, 108321, 108322, 108323, three each 108311, 108312, 108318, 108325, 150203, wood screws 1 1/4 inch No. 12 R.H., four 108320, eight 114097(809) and sixteen 1520(809)	Acc	141087(869)	Chain Cutter Knife (movable) Shaft Drive Collar Set Screw (2)	Acc
115674	Knife (movable) Lever and Presser Bar (upright) Housing Cover Spring Screw Lock Washer	H3	141223-002	Treadle Hinge Bracket Bolt	E6
115679	Thread Eyelet (needle thread) Bridge complete, Nos. 108330, 108484, 108785 and two 208(829)	G5 Acc	141292(869)	Differential Feed Driving Arm Stud Set Screw	C7
115684	Screw Driver 10 1/2 inches long		141292(869)	Differential Feed Regulating Lever Shaft Collar Set Screw	E6
115700	Machine Frame Rotary Shaft complete, Nos. 165404 with two 98930 and five 107037	J5	141292(869)	Feed Bar Hinge Pin (eccentric) Collar Set Screw	F6
115707	Chip Chute complete, Nos. 115492, 115518, two each 9525(819) and 350719(869)	Acc	141292(869)	Feed Bar Hinge Pin (eccentric) Positioning Pin Set Screw	E6
115711	Thread (looper) Plate Cover with 109927(869)	M7	141292(869)	Feed Bar Hinge Pin (eccentric) Set Screw	B7
115712	Thread (looper) Plate Cover Assembly	CC	141292(869)	Feed (back) Bar Guide Pin Securing Screw	D7
115727	Cloth Plate		141292(869)	Feed Driving Arm Pin Securing Screw	C7
115728	Cloth Plate complete, Nos. 1700(809), 114246(809), 115727, 115555 and two 237(809)	CC	141292(869)	Feed Driving Shaft Position Collar Set Screw	D8
115739	Oil Pipe Banjo Connection	J4 H6	141292(869)	Feed Eccentric (adjustable) Disc Position Collar Set Screw	G5
115740	Oil Pipe Banjo Connection Washer (fibre)	J4 H6	141292(869)	Knife (movable) Lever Hinge Pin Screw	K6
115741	Oil Pipe Banjo Connection Retaining Screw	J4	141292(869)	Looper (left hand) Carrier Set Screw	D7
115742	Oil Pipe Banjo Connection Retaining Screw (lower)	H6	141420(803)	Feed (back) Bar Connection Screw	F8
115814	Oil Pipe 115572 with two 90100 and 115739	H4	141444(831)	Knife (stationary) Holder Screw	Acc
115897	Oil Return Filter (front) Pad	J7	143283	Knee Lifter Rock Shaft Knee Arm	Acc
117008	Thread Unwinder Thread Eyelet Circlip	Acc	143284	Knee Lifter Rock Shaft Knee Arm Hub with 356(803) and 140351(803)	Acc
117011	Presser Bar Bracket	F5	143285	Knee Lifter Rock Shaft Knee Arm Hub complete, Nos. 2767, 143283 and 143284	Acc
117030	Retro-fit Chain Cutter Kit complete, (993E3), Nos. 665(809), 50379(806), 108621, 108627, 108864, 114224(869), 115034, 115037, 115038, 115066, 115728 and 109927(869)	CC	150203	Thread Unwinder Spool Rest Cushion (felt) (3)	Acc
117043	Thread (looper) Plate Cover Latch Spring Pin	M6	152080	Treadle Position Collar with 51089	Acc
117082	Knife (stationary) Wide (available at extra charge)	Acc	152153	Treadle Spring	Acc
117086	Knife (movable) Narrow (available at extra charge)	Acc	152168	Treadle	Acc
117119	Feed (back) Dog Section (left)	F6	152171	Treadle Extension Swivel Stud	Acc
117120	Feed (front) Dog		161294	Screw Driver (plastic handle) (large)	E6
117121-006	Throat Plate (3/32 bight)	F5	164004	Feed Bar Slide Block (back)	G6
117121-008	Throat Plate (1/8 bight) (standard)		164027(819)	Knife (movable) Clamp	G6
117121-010	Throat Plate (5/32 bight)		164030	Knife (movable) Holder Screw Bearing	Acc
117121-012	Throat Plate (3/16 bight)		164042	Operating Cable Friction Sleeve	G6
117124	Throat Plate Guide and Support Bracket with 853(830) and two 109927(869)	F8	164043	Knife (stationary) Holder Spring	
117152	Differential Feed Regulating Lever Return Spring	D7	164046	Looper (left hand) Carrier with 114224(869), 141292(869) and 164202	K6
			164053	Looper (left hand) Driving Shaft Crank Thrust Bearing	H5
			164053	Looper (right hand) Driving Shaft Crank Thrust Bearing	J5
			164053	Needle Driving Shaft Bushing Thrust Washer	H5
			164068	Looper (right hand) Locking Screw Stud	J6
			164091	Thread (looper, right hand) Take-up with 164555	K6
			164093	Machine Frame Rotary Shaft Ball Sleeve	
			164098	Machine Frame Rotary Shaft Oil Return and Ball Bearing Grease Retainer	L3
			164100	Machine Frame Rotary Shaft Thrust Bearing	L4
			164139	Presser Bar Lifting Lever Spring	F3
			164141(850)	Presser Bar (swing-out) Lifting Screw Stud	F4
			164143(850)	Presser Bar (upright)	G4
			164144	Presser Bar (upright) Spring (alternative to No. 164416)	

From the library of: Diamond Needle Cloth

Part No.	Description	Grid Ref.
7626	Treadle 115420 with two 107502 and four wood screws 3/4 inch (19mm) No. 12 R.H.	Acc
7627	Lint Cleaning Brush	Acc
7763	Feed Eccentric (adjustable) Push Button Circlip	D8
7827	Feed Driving Shaft Bushing (right)	E8
7829	Feed (front) Bar Wearing Plate	F6
7832	Knife (movable) Lifting Lever 1628(809), 107188, 108213 and two 51302(806)	F6 B8
7854	Differential Feed Regulating Lever Stop (2)	B8
7857	Differential Feed Regulating Lever	B8
7859	Differential Feed Regulating Plate	B8
7868	Differential Feed Driving Arm Stud	D7
7870	Differential Feed Regulating Lever Shaft Collar with 141292(869)	C7
7870	Feed Driving Shaft Position Collar with two 141292(869)	C7
7898	Oil Return Filter (front) Screen (upper)	J7
7898	Oil Return Filter (front) Screen (lower)	J7
7936	Oil Pressure Gauge (available at extra charge)	Acc
7953	Machine Frame Rotary Shaft Bearing (left) Cover	C8
7965	Differential Feed Regulating Lever Shaft Oil Ring	C7
7970	Feed (back) Bar Guide Bracket	C7
8012	Differential Feed Driving Arm with 114134(869) and 141292(869)	D6
8013	Machine Frame Rotary Shaft Bearing (left) Cover Gasket	C8
8026	Machine Frame Rotary Shaft Bushing (front)	G6
8031	Thread (looper) Plate with 101896	L6
8057	Tweezers	Acc
8058	Dust Cover (available at extra charge)	Acc
8065	Oil Dispenser	Acc
8075	Differential Feed Driving Arm 108012 with 9525 and 107868	D6
8088	Feed Bar Hinge Pin (eccentric) 165301 with 165303 and two 164004	E6
8089	Feed (back) Bar Guide Bracket 107970 with 108502 and two 157(830)	C7
8115	Wrench 1/16 inch (with plastic handle)	Acc
8123	Belt Cover (rear)	Acc
8123	Differential Feed Regulating Lever Return Spring Arm with 114134(869)	D7
8141	Feed (back) and (front) Bars complete, Nos. 108088 and 165135	F6
8146	Allen Wrench 3/32 inch (with plastic handle)	Acc
8147	Oil Funnel	Acc
8158	Oil Deflector	H6
8213	Knife (movable) Eccentric End Washer	F6
8214	Machine Frame Oil Splash Seal Support	F5
8224	Earthing Wire	Acc
8225	Differential Feed Regulating Lever Thumb Nut Retainer	A8
8227	Feed (back) Dog Section (right)	—
8228	Machine Frame Closing Plate (rear) Gasket	C6
8232	Feed Driving Shaft Oil Wick Clip	H7
8300	Machine Frame Top Cover Plug	J2
8311	Thread Unwinder Spool Pin (3)	Acc
8312	Thread Unwinder Spool Rest (3)	Acc
8314	Thread Unwinder Spool Rest Support	Acc
8318	Thread Unwinder Mounting Tube End Plug	Acc
8320	Thread Unwinder Mounting Tube Bracket (4)	Acc
8321	Thread Unwinder Thread Eyelet Support (lower) Holder	Acc
8322	Thread Unwinder Thread Eyelet (9)	Acc
8323	Thread Unwinder Mounting Tube	Acc
8325	Thread Unwinder Thread Eyelet Support (lower) with three each 108322 and 117008	Acc
8325	Thread Unwinder Thread Eyelet Support (upper) (front) with three each 108322 and 117008	Acc
8325	Thread Unwinder Thread Eyelet Support (upper) (rear) with three each 108322 and 117008	Acc
8330	Thread Eyelet (needle thread) Bridge Tube	G5

Part No.	Description	Grid Ref.
108336	Differential Feed Driving Arm Connecting Link complete	D6
108371	Looper (left hand) Thread Tube (lower)	F8
108373	Machine Frame End Cover Hole Plug	B8
108373	Machine Frame Oil Splash Cover (top) Access Plug	E7
108389	Chain Cutter Knife (movable) Driving Fork with two 109927(869)	CC
108390	Chain Cutter Knife (movable) Driving Slide Block	CC
108391	Chain Cutter Knife (movable) Driving Slide Block Stud with 108495	CC
108394	Chain Cutter Knife (movable) Spring	CC
108406	Chain Cutter Suction Pipe	CC
108441	Chain Cutter Knives Oil Wick	CC
108445	Oil Pump Cover Oil Seal	K4
108452	Wrench (long) for 5/32 inch Socket Head Screw	Acc
108483	Machine Frame Rotary Shaft Bearing (left) Retaining Ring	C8
108484	Thread Eyelet (needle thread) Bridge Tube Support with 114285(869)	G5
108495	Chain Cutter Knife (movable) Driving Slide Block Stud Wick	CC
108499	Chain Cutter Knife Holder and Feed Bar Guide Cover	CC
108502	Feed (back) Bar Guide Pin	B7
108503	Chain Cutter Knife Holder and Feed Bar Guide Cover Seal (inner)	CC
108585	Chain Cutter Suction Pipe Clip	CC
108592	Looper (left hand) Gauge (available at extra charge)	Acc
108597	Chain Cutter Knife (movable) Driving Fork 108389 with 108390 and 108391	CC
108604.451	Machine Frame Closing Plate (front)	H6
108606	Machine Frame Front Cover	K7
108607	Machine Frame Oil Splash Cover (top) complete with 108608	E7
108608	Machine Frame Oil Splash Cover (top) Gasket	E7
108609	Machine Frame Oil Splash Guard complete	E8
108615	Thread (looper) Plate complete, Nos 1423(809), 1443(809), 1607(809), 108031, 164163, 164165 and 164449	L7
108621	Chain Cutter Knife Holder and Feed Bar Guide Oil Deflector	CC
108623	Chain Cutter Knife Holder and Feed Bar Guide Cover Suction Tube Oil Seal	CC
108627	Machine Frame Oil Splash Seal Support	CC
108630	Machine Frame Oil Seal	B7
108632	Needle Guard Holder	F8
108648	Chain Cutter Knife Holder and Feed Bar Guide Cover (top) Gasket	CC
108656	Oil Pump Body Clamping Screw Hole Plug Screw Gasket	L6
108670	Presser Bar Lifting Lever (long) Connection Rod Cotter Pin	C5
108671	Presser Bar Lifting Lever (long) Tension Spring	C6
108672	Machine Frame Closing Plate (rear)	C6
108753	Feed Eccentric (adjustable) Body	D7
108754	Feed Eccentric (adjustable) Slide Gib	D7
108755	Feed Eccentric (adjustable) complete	D8
108757	Feed Eccentric (adjustable) Disc Spring	C8
108762	Feed Eccentric (adjustable) Push Button	D8
108763	Feed Eccentric (adjustable) Push Button Return Spring	D8
108764	Feed Eccentric (adjustable) Push Button Bush	D8
108766	Machine Pulley Cap	M5
108777	Combination Wrench	Acc
108783	Belt Cover	L5
108785	Thread Eyelet (needle thread) Bridge	G5
108812	Thread (looper) Take-up	K6
108815	Wrench (socket)	Acc
108818	Needle Carrier with 51768(803), 82312 and 82313	G5
108864	Thread (needle) Guide Post Securing Nut Washer	H2
108864	Chain Cutter Knife Holder and Feed Bar Guide Oil Deflector Securing Screw (rear) Washer	CC
108917	Looper (left hand) Driving Shaft	J6
108919	Looper (right hand) Driving Shaft with 106494	J5
109329(803)	Machine Frame Rotary Shaft Ball Bearing Housing Screw (4)	L3

From the library of: Diamond Needle Corp

Part No.	Description	Grid Ref.
146	Presser Foot Chaining-off Finger	—
147	Presser Foot Clamping Plate	—
149	Presser Foot Guide	—
157	Tension (light) Spring	H1
163	Thread (looper, right hand) Take-up Eyelet (adjustable)	L6
164	Thread (looper, right hand) Thread Eyelet (movable)	Acc
165	Thread (looper, right hand) Thread Eyelet (stationary)	L7
176	Thread (looper, right hand) Take-up Plate	K6
189	Machine Cushion (small) (2)	Acc
196	Threader (6)	Acc
202	Looper (left hand) Stop Pin	K6
351(819)	Presser Bar (swing-out) Pivot Screw Locking Plate	E3
416	Presser Bar (upright) Spring (heavy)	G3
449	Thread (looper, right hand) Thread Eyelet (movable)	L7
525	Knife (stationary) Holder Spring Stud	G6
550	Knife (movable)	G6 Acc
555	Thread (looper, right hand) Take-up Guide Wire	K6
560	Looper (left hand) Carrier Holder with 114256-451, 140393(830) and 140596(830)	K6
661	Looper (left hand) Carrier Holder 164660 with 1324(803), 59456 and 164046	K6
727	Knee Lifter Complete, Nos. 2763, 6337, 59324, 143285, 164729, two each 2770 and 12242	Acc
728	Knife (stationary)	G6 Acc
729	Knee Lifter Rock Shaft Lifting Bracket Hook	Acc
744	Knife (stationary) Clamping Gib	G6
745	Knife (stationary) Holder Body with two 50611(803)	F8
058	Needle Guard	F8
135	Feed Bar Slide Block (front)	F6
157	Oil Return Filter (front) Fastener	J7
259	Feed (back) Bar Connection Oil Wick (long)	D7
259	Feed (front) Bar Connection Oil Wick (long)	E6
290	Cloth Plate Position Collar with two 114224(869)	E5
291	Knife (movable) Guard (lower)	G6
301	Feed Bar Hinge Pin (eccentric)	E6
303	Feed Bar Hinge Pin (eccentric) Collar with 141292(869)	E6
303	Feed Eccentric (adjustable) Disc Position Collar with 141292(869)	C8
306	Feed (back) Bar	E6
307	Feed (back) Bar Connection	D7
308	Feed (back) Bar Connection 165307 with 165259, 165310 and 165311	D7
309	Feed (back) Bar Connection Bushing	D7
310	Feed (back) Bar Connection Oil Wick (short)	D7
311	Feed (back) Bar Connection Oil Wick Retaining Pin	D7
311	Feed (front) Bar Connection Oil Wick Retaining Pin	E6
315	Feed (back) Bar Driving Arm Eccentric Stud	E7

Part No.	Description	Grid Ref.
165326	Feed (front) Bar	F6
165330	Feed (front) Bar Connection Oil Wick (short)	E6
165347	Feed Driving Shaft	D6
165348	Feed Driving Shaft 165347 with 165350 and two 165349	D6
165349	Feed Driving Shaft Cross Oil Wick	D6
165350	Feed Driving Shaft Oil Wick	D6
165351	Feed Driving Shaft Bushing (left)	C7
165373	Machine Frame End Cover Dowel Pin	C8
165384	Machine Frame Oil Drain Plate Screen (2)	H6 H7
165395	Machine Frame Oil Drain Plate	H7
165399	Machine Frame Rotary Shaft Bearing (left)	C8
165404	Machine Frame Rotary Shaft Key	H5
165406	Machine Frame Wearing Plate	J6
165487	Knife (movable) Guard (upper)	G6
165519	Machine Frame Oil Drain Plate Filter (felt)	H7
175032	Differential Feed Regulating Lever Stop Screw Washer (2)	A8
175032(819)	Thread (looper) Plate Cover Hinge Bracket Screw Washer (2)	M8
228661	Machine Frame Top Cover Tension Screw Hole Plug	J2
228661	Thread (looper) Plate Cover Stop (rubber) (2)	L6
271779	Cloth Plate Lock Spring Retaining Screw Stud Sleeve	G8
350606	Feed Driving Arm Clamp Screw	C6
350647(869)	Oil Pump Body Clamping Screw	J5
350647(869)	Machine Base Mounting Screw (4)	Acc
350645(869)	Machine Frame Anchor Lug Screw (2)	J6
350680(869)	Looper (right hand) Four Bar Linkage Mechanism Stabiliser Screw	J5
350687(869)	Machine Frame End Cover Securing Screw (6)	C8
350719(869)	Feed (front) Bar Driving Arm Screw	D6
350719(869)	Needle Carrier Clamping Screw	G5
350719(869)	Differential Feed Driving Arm Clamping Screw	D6
350719(869)	Oil Pump Cover Screw	K4
350719(869)	Differential Feed Regulating Lever Return Spring Arm Clamping Screw	D6
350719(869)	Chip Chute Support Plate Screw (2)	Acc
350744	Oil Reservoir Screw (6)	J8
350754(869)	Knife (movable) Lever and Presser Bar (upright) Housing Cover Hinge Bracket Screw (2)	F3
350754(869)	Feed Eccentric (adjustable) Push Button Set Screw	D8
701679	Earthing Wire Screw Washer	Acc
820193-003	Wrench (regular) for 5/64 inch Socket Head Screw	Acc
820193-005	Wrench (regular) for 1/8 inch Socket Head Screw	Acc
820193-007	Wrench (regular) for 3/16 inch Socket head Screw	Acc
820193-009	Wrench (long) for 3/32 inch Socket Head Screw	Acc
820193-010	Wrench (regular) for 7/32 inch Socket Head Screw	Acc
931084	Tension (light and heavy) Screw Stud Lock Nut Washer	H2
Cat. 1431	Needle size 12	G5 A

93E10

This machine is the same as the 993E3 with the following exceptions:

Part on	Description	Part off
4864	Chain Cutter Chain Retainer Spring	---
5(809)	Chain Cutter Chain Retainer Spring Screw	---
4865	Chain Cutter with Chain Retainer complete	---
4863	Chain Cutter Holder	---
4861	Chain Cutter Knife	---
5(809)	Chain Cutter Knife Screw	---
5562	Cloth Plate	115515
5847	Cloth Plate complete	115586
4617	Feed (back) Dog complete	117205
7262	Feed (front) Dog	117120
7292	Feed (front) Dog (2mm)	---
7287	Feed (front) Dog (1/16 inch)	---
4556	Knife (movable)	164550
5629	Machine Frame Top Cover Assembly	115587
5628	Machine Frame Top Cover	115499
	Machine Frame Top Cover Tension Screw Hole Plug	228661
t. 1435	Needles (2) size 14	Cat. 1431
8941	Needle Carrier	108818
8112	Needle Guard	165058
318	Needle Holder	82312
314	Needle Holder Washer	82313
726	Needle Stop Pin	82309
4627	Presser Foot complete	107083
3180(624)	Tension (heavy) Regulating Thumb Nut (blue)	---
7085(624)	Tension (heavy) complete (blue)	---
7261	Throat Plate	117121-008
5780	Thread (looper) Plate Cover with 109927(869)	115711
5781	Thread (looper) Plate Cover assembly	115712
	Accessories	
4556	Knife (movable)	164550
t 1435	Needles	Cat 1431
7001	Thread Unwinder	115608
7031	Retro-fit Chain Cutter Kit complete Nos. 665(809) 50379(806), 108621, 108627, 108864, 114224(869), 115037, 115038, 115051, 115066, 115734 and 109927(869)	